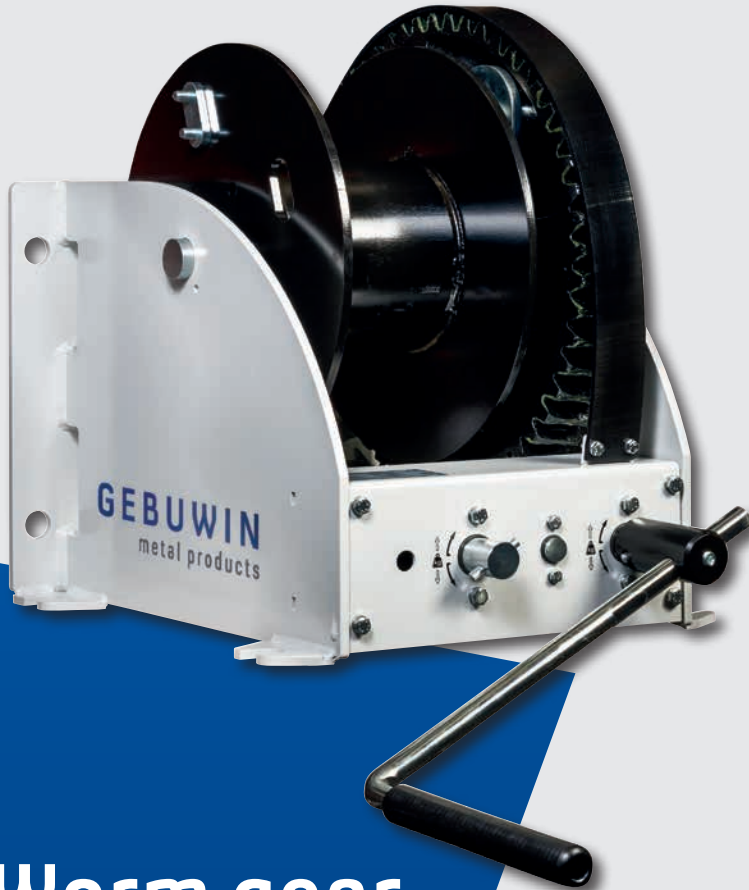


## Worm gear winch WW2000-5000 freespool



## Worm gear free spool winch

### Product specifications:

- robust and safe hoisting or pulling winch with two speeds
- free spooling cable drum designed especially for pulling applications
- pulling capacity is approx. 2,5x hoisting capacity
- in compliance with EN13157, DIN 15020 and EX types ATEX 114 (94/9/EG)
- static safety factor 4
- right angled, easy to grease worm transmission and maintenance free bearings
- cable outlet upwards, downwards or at rear
- adjustable crank, with ergonomic grip
- load pressure brake with double ratchet system
- paint thickness is 60 - 80 micron in 1 layer and in compliance with DIN/ISO 12944, C1M

### Options:

- adjustable friction brake for controlled cable unwinding (will lead to different dimensions of the winch)
- zinc-plated finish (6 - 8 micron)
- ATEX certified  $\text{Ex}$  II 3 GD T4, zone 2 and 22
- grooved drum
- double cable drum compartments (2D)
- multiple cable drum compartments

### Accessories:

- steel or stainless steel wire ropes
- pulley blocks suitable for hand winches
- suitable for winch powertool AM5000 and EM5000

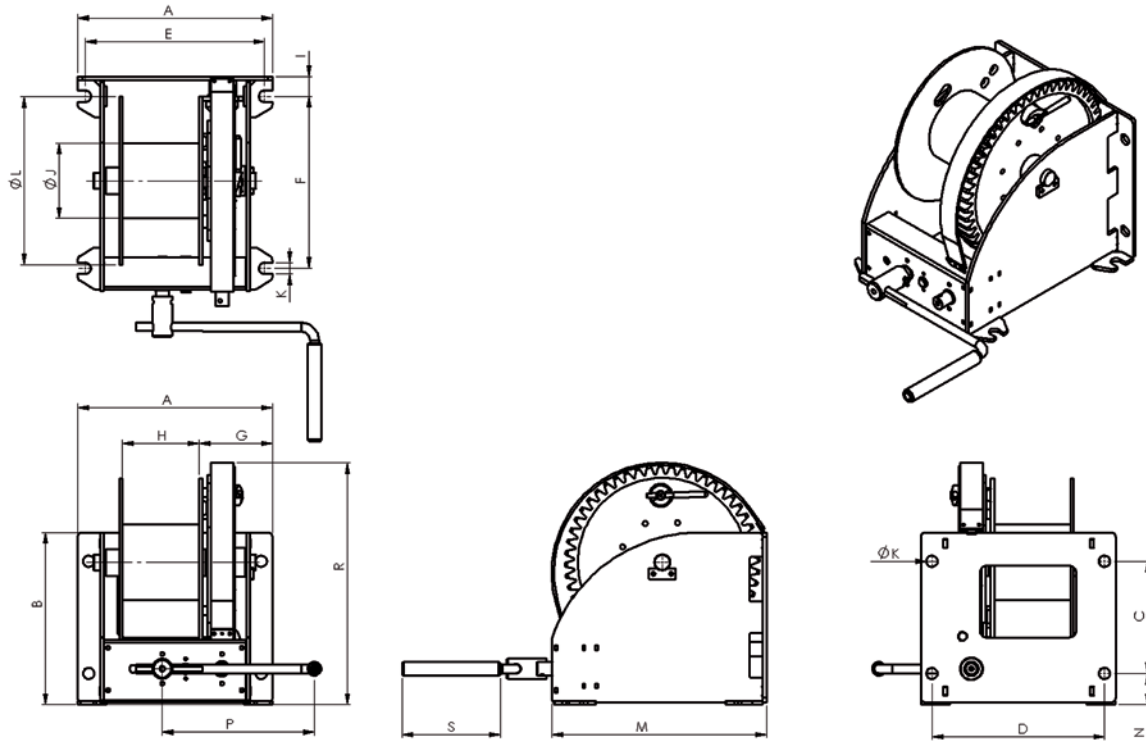


**GEBUWIN**  
metal products

Industrieweg 6, 7102 DZ Winterswijk, The Netherlands  
Telephone: +31(0)543 532600 Email: info@gebuwin.com  
For more information: [www.gebuwin.com](http://www.gebuwin.com)



## Technical specifications WW2000-5000 / FS



Type	Mounting	Material finish	Remarks
WW2000 - 5000 GR / D / FS	Wall / Floor, 4x M20 class 8.8	Painted finish	RAL 7035 (grey)
WW2000 - 5000 EV / D / FS	Wall / Floor, 4x M20 class 8.8	Zinc-plated finish	

Dimensions (mm)	A	B	C	D	E	F	G	H	I	J	K	L	M	N	P	R	S
WW2000	410	310	196	360	376	279	166	147	42	133	25	312	372	62	380	437	220
WW3000	436	385	251	386	401	385	164	172	44	168	25	375	480	70	380	541	220
WW4000	436	385	251	386	401	385	164	172	44	168	25	375	480	70	380	541	220
WW5000	436	372	316	386	401	420	171	168	44	219	25	437	515	80	380	625	220

Technical specifications		WW2000	WW3000	WW4000	WW5000
Capacity 1st cable layer	kg	2000	3000	4000	5000
Capacity last cable layer	kg	1038	1667	2282	3276
Crankforce 1st cable layer	daN	24 (11)	31 (14)	30 (13)	73 (14)
Hoisting length one rotation, 1st layer	mm	12 (5)	11 (5)	11 (2)	13 (3)
Max. cable storage (one cable drum)	m	59	57	43	33
Diameter cable	mm	12	14	16	18
Min. breaking load cable	kN	60	90	120	150
Own weight	kg	63	82	84	122

subject to changes

Form more information: [www.gebuwin.com](http://www.gebuwin.com)