

Economy class spur gear winch HW200-800



Economy class spur gear winch



Product specifications:

- safe hoisting and pulling winch
- load pressure brake with ratchet system
- maintenance free bearings
- ergonomic grip
- in compliance DIN 15020
- static safety factor 1,5

Options:

- stainless steel version SAE grade 304

Accessories:

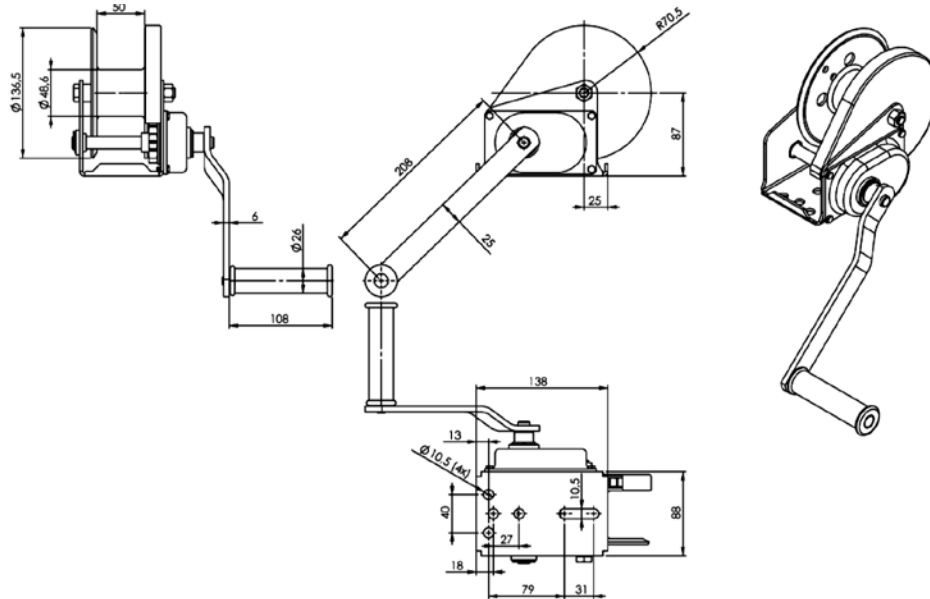
- steel or stainless steel wire ropes
- pulley blocks suitable for hand winches

GEBUWIN
metal products

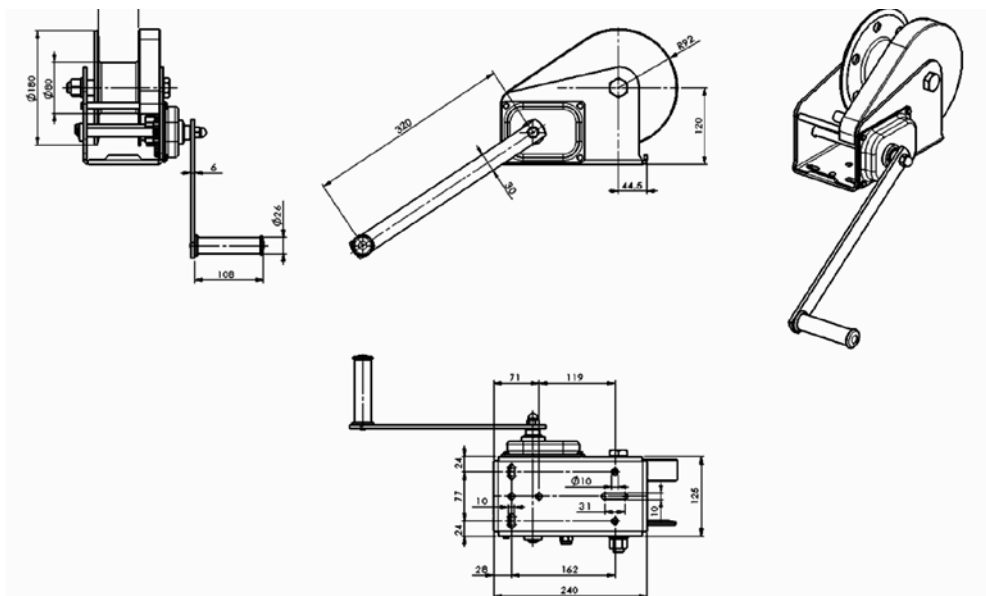
Industrieweg 6, 7102 DZ Winterswijk, The Netherlands
Telephone: +31(0)543 532600 Email: info@gebuwin.com
For more information: www.gebuwin.com



Technical specifications HW200



Technical specifications HW800



Type	Mounting	Material finish	Remarks
HW200 GR	Floor, 3x M8 class 8.8	Painted finish	RAL 7038 (dark grey)
HW200 SS	Floor, 3x M8 class 8.8	Stainless steel finish	
HW800 SS	Floor, 4x M8 class 8.8	Stainless steel finish	

Technical specifications		HW200	HW800
Capacity 1st cable layer	kg	200	800
Capacity last cable layer	kg	86	491
Crankforce 1st cable layer	daN	8	13
Hoisting length one rotation, 1st layer	mm	40	26
Max. cable storage (one cable drum)	m	31	15
Diameter cable	mm	4	8
Min. breaking load cable	kN	6	24
Own weight	kg	4	10

subject to changes

Form more information: www.gebuwin.com