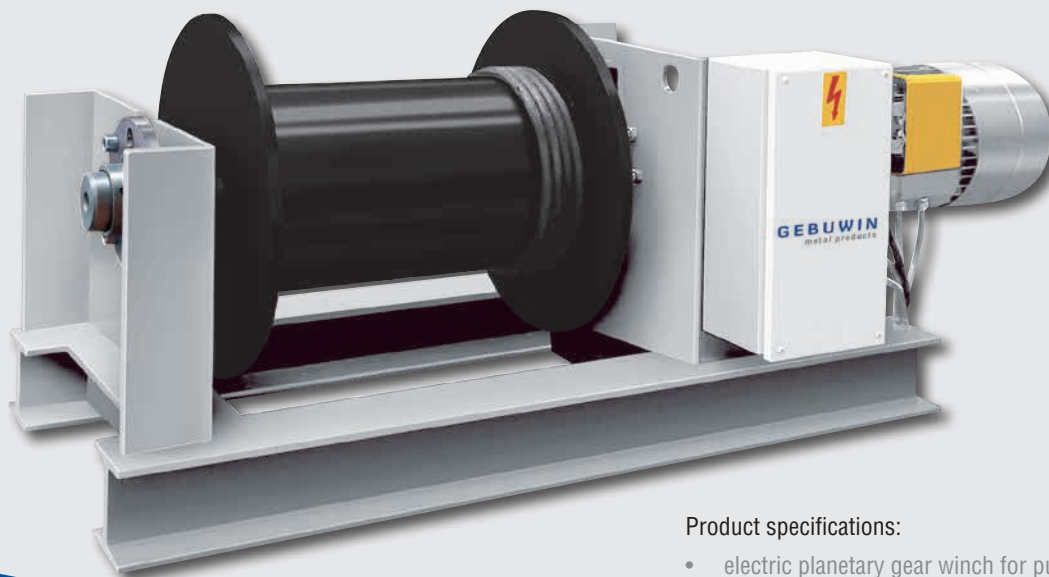


Electric planetary winch EP2000-20000



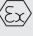
Electric planetary winch

400 V-50 Hz

Product specifications:

- electric planetary gear winch for pulling
- precision drive by planetary gear
- high performance
- robust construction
- large wire rope capacity

Options:

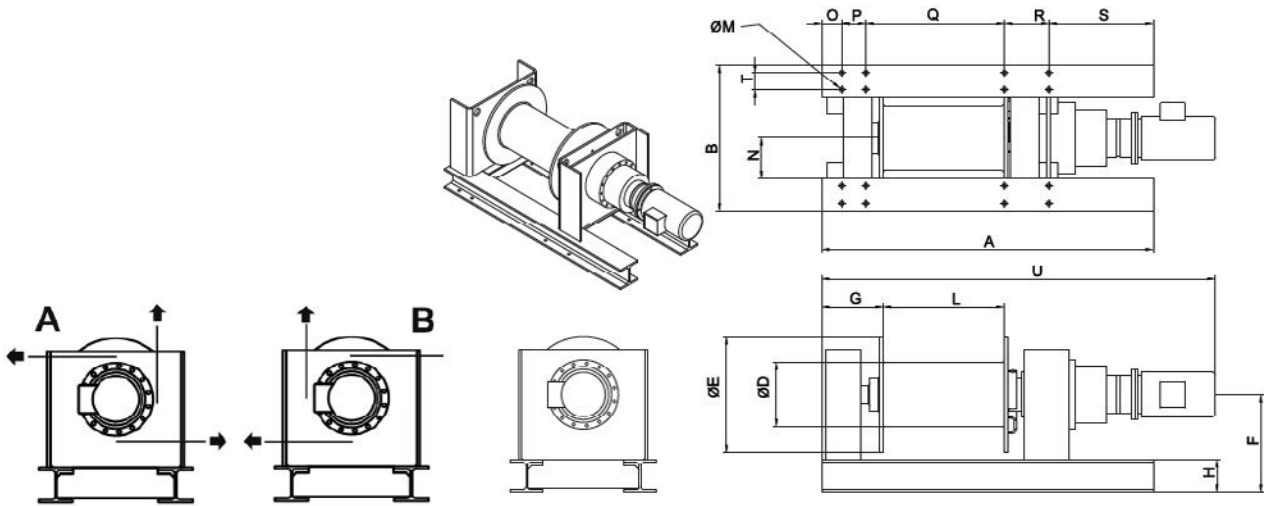
- available as electric hoisting winch (limitswitch and low voltage control are required)
- available in multiple speeds (S1, S2 and S3)
- grooved drum
- separation partition and/or second wire rope fastening on the drum
- second brake as safety brake
- pressure roller
- rope spooling guide
- slack rope monitoring
- manual drive device
- counter for operation hours
- other speeds, capacities and frequencies
- radio control
- low voltage control
- continuous wire rope speed
- protection classification up to IP66
- drum protection cover
- disengaging clutch
- ATEX certified  II 3 GD T4, zone 2 and 22
- and many more

GEBUWIN
metal products

Industrieweg 6, 7102 DZ Winterswijk, The Netherlands
Telephone: +31(0)543 532600 Email: info@gebuwin.com
For more information: www.gebuwin.com



Technical specifications EP2000-20000



Dimensions (mm)	A	B	D	E	F	G	H	L	M	N	O	P	Q	R	S	T	U
EP2000 / D / S1	1450	544	133	300	320	215	100	530	13	172	70	100	700	100	480	56	1530
EP3200 / D / S1	1450	544	159	320	320	215	100	610	13	172	70	100	700	100	480	56	1650
EP4000 / D / S1	1450	544	178	350	320	215	100	580	13	172	70	100	700	100	480	56	1620
EP5000 / D / S1	1530	620	203	400	370	204	120	610	17	190	90	75	700	75	590	70	1720
EP6300 / D / S1	1530	620	219	430	370	204	120	610	17	190	90	75	700	75	590	70	1790
EP8000 / D / S1	1650	724	254	510	485	301	160	600	23	202	100	120	690	220	520	86	1900
EP10000 / D / S1	1650	724	279	550	485	301	160	600	23	202	100	120	690	220	520	86	1900
EP12500 / D / S1	1650	724	318	610	485	301	160	600	23	202	100	120	690	220	520	86	2040
EP16000 / D / S1	1850	1000	356	685	595	378	220	600	25	280	150	200	700	200	600	120	2140
EP20000 / D / S1	1850	1000	394	760	595	378	220	600	25	280	150	200	700	200	600	120	2310

Type	Capacity layer	Wirerope		Motor		Wirerope speed		Wirerope storage		Own weight
	kg	mm	kN	kW	A	1st layer	5th	1st layer	5th	(no wirerope)
						m/min	m/min	m	m	kg
EP2000 / D / S1	2000	10	71	1,4/5,5	5,6/12,5	3,5/1,4	5,5/22	20	135	260
EP3200 / D / S1	3200	12	114	1,4/5,5	5,6/12,5	2/9	3,5/14	23	160	305
EP4000 / D / S1	4000	13	142	1,4/5,5	5,6/12,5	1,5/6	2,5/10	22	150	310
EP5000 / D / S1	5000	14	178	1,4/5,5	5,6/12,5	1/5	2/7,5	25	165	415
EP6300 / D / S1	6300	16	224	1,4/5,5	5,6/12,5	1/4	2/7	20	155	455
EP8000 / D / S1	8000	18	284	1,4/5,5	5,6/12,5	1/3,5	1,4/5,5	22	155	685
EP10000 / D / S1	10000	20	355	1,4/5,5	5,6/12,5	0,7/2,5	1,1/4,3	22	155	700
EP12500 / D / S1	12500	22	444	1,4/5,5	5,6/12,5	0,6/2,2	0,9/3,5	22	160	815
EP16000 / D / S1	16000	25	568	1,4/5,5	5,6/12,5	0,5/1,8	0,7/2,8	22	160	1210
EP20000 / D / S1	20000	28	710	2/8,5	6,5/18,2	0,5/2,1	0,8/3,2	22	160	1320

subject to changes

Form more information: www.gebuwin.com